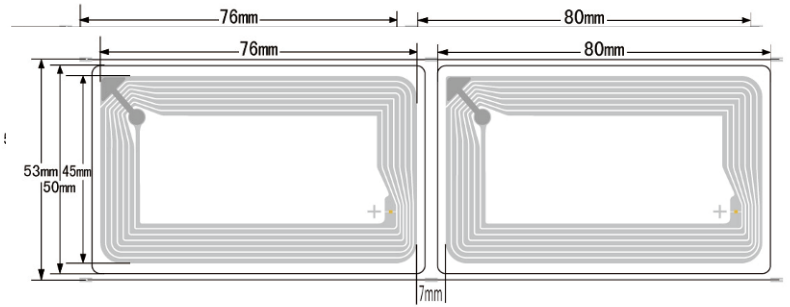


PRODUCT Datasheet: Etching Antenna Wet Inlays

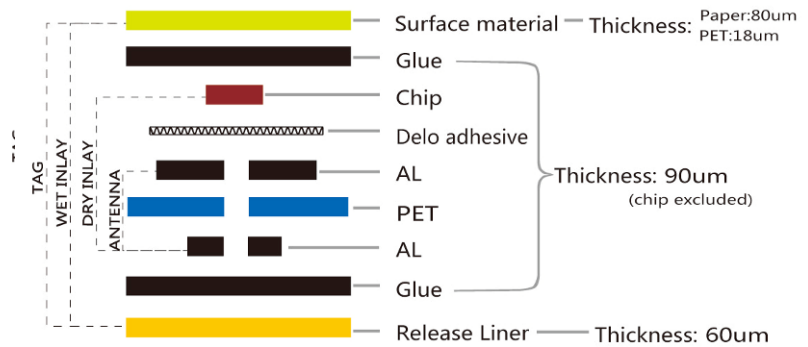
Product dimensions:

Antenna size	76mm x 45mm
Die-cut size	80mm x 50mm
Vertical gap _(antenna)	8mm
Lateral gap _(antenna)	7mm
Inlay roll width	53mm



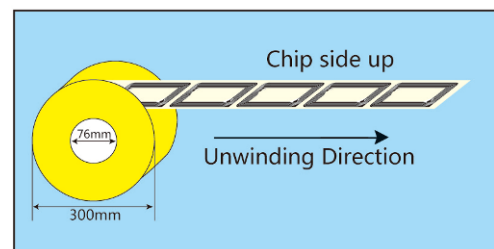
Electrical Specifications:

IC	NXP ICODE SLI
Frequency	13.56 MHz
Protocol	ISO 15693
Memory	1K byte

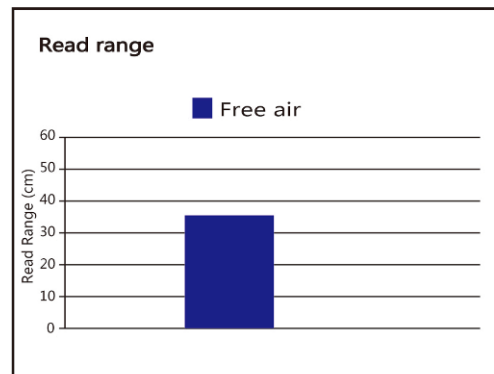


Delivery Information:

Surface Material	Paper or PET
Inner core size	76mm (3 inch)
Quantity per roll	5000 pcs(dry inlay) 2000 pcs(wet inlay/label)
Unwinding	Chip side up
Quality	100% tested, NG replaced



Operation	-40°C to 85°C
Storage	-5°C to 30°C
Data Retention	100,000 cycles



Environment Operation: